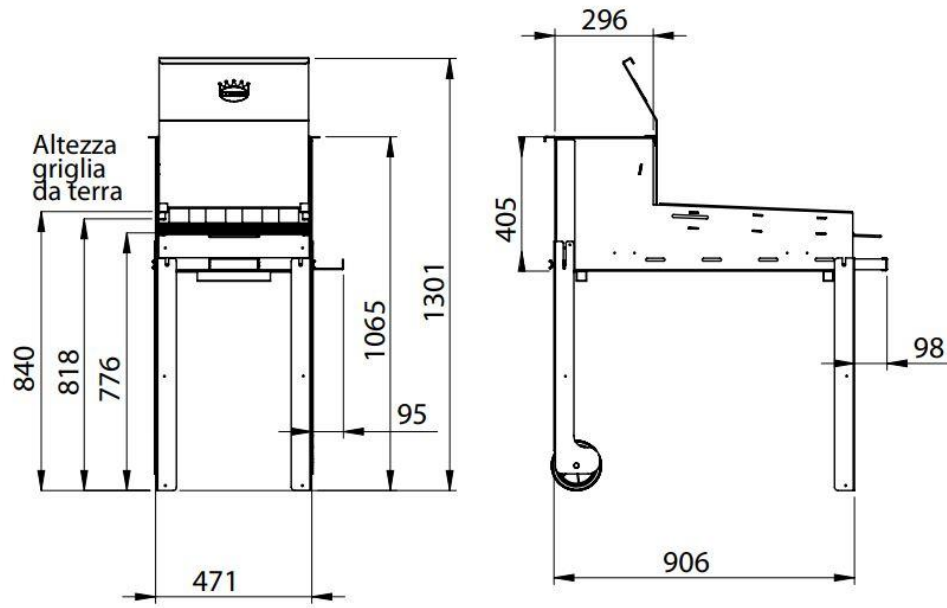


FLIPPER - 45 kg



SUPER FLIPPER - 55 kg

